

End plate detail ▲

A screen that has been dubbed “Made for Installation” due to its innovative assembly system. In addition, this model disappears into a false ceiling by means of a retractable mechanism, and is endowed with the classic tensioning method, which ensures a perfect planarity of the surface while safeguarding a harmonious aesthetic impact. Two elastic cables depart from the ends of the base and are threaded through eyelets along the sides of the canvas, creating a lateral arch which avoids the risk of any creases forming during the rolling phase, despite the presence of the eyelets.

While maintaining the characteristic Inceel design, this solution further enhances an invaluable tool for your work and leisure time without posing any space limitations.

Available with 50 or 70 mm lateral black borders.

See page **173** for Technical data

**Create your own screen with the PSS**

- > **Personalized dimensions:** width and height
- > **Motor type:** standard motor or radio integrated motor (optional)
- > **Case:** available only with case
- > **Case color:** standard in White Matte. Optional in any other color for an extra cost
- > **Standard Drop:** from 5 to 45 cm
- > **Projection surface fall:** back (standard), front or reverse-roll (optional)
- > **Side of command/motor:** right only

**Projection Surfaces** (see page 6)

- > ReferenceWhite 2 / ReferenceGrey 2
- > AmbientGrey 2 / AmbientGrey
- > VisionWhite / VisionWhitePro
- > VisionAcoustik / VisionMacroAcoustik
- > VisionRear DB e VisionRear, only without black borders

**Standard Accessories**

- > Kit containing eight 50 cm threaded bars for installation with maximum height of 1 m
- > Unipolar switch
- > Remote control (only for radio integrated version)
- > End plates for closing the plasterboard

**Optional Accessories**

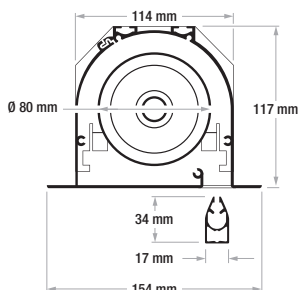
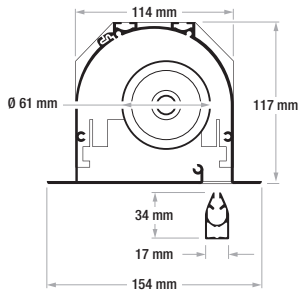
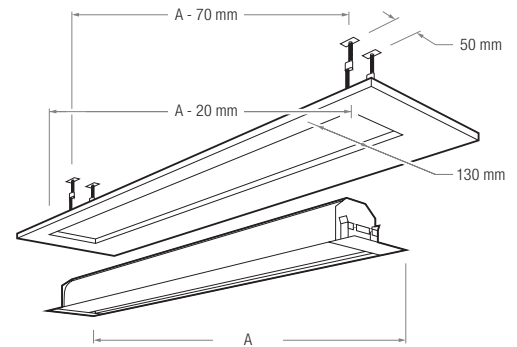
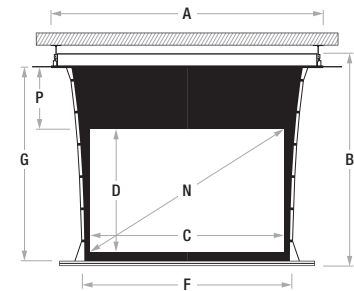
- > Interface to drive the screen in radio frequency with remote control (not included), 12V trigger, unipolar switch, dry contact or RS232
- > Receiver and infrared remote control
- > Extension brackets for screens up to 60 cm

**PSS Formats**

|     |        |        |        |        |        |        |
|-----|--------|--------|--------|--------|--------|--------|
| 1:1 | 1.33:1 | 1.60:1 | 1.78:1 | 2.35:1 | 2.37:1 | 2.40:1 |
|     | 4:3    | 16:10  | 16:9   | 21:9   |        |        |

## Inceel Tensio Classic 50 mm borders / without borders

| Aspect Ratio | Viewing Width | Viewing Height | Diagonal Inches | Overall Width | Overall Height | Surface Width | Surface Height | Standard Drop | Total Maximum Drop | Packaging Dimensions | Net Weight | Gross Weight |
|--------------|---------------|----------------|-----------------|---------------|----------------|---------------|----------------|---------------|--------------------|----------------------|------------|--------------|
|              | C             | D              | N               | A             | B              | F             | G              | P             | mm                 | mm                   | kg         | kg           |
| 1,00 (1:1)   | 1850          | 1850           | 103             | 2370          | 2101           | 1950          | 1950           | 50            | 50                 | 2383x200x210         | 18         | 23           |
|              | 2150          | 2150           | 120             | 2670          | 2451           | 2250          | 2300           | 100           | 100                | 2683x200x210         | 19         | 24           |
|              | 2650          | 2650           | 148             | 3170          | 2951           | 2750          | 2800           | 100           | 100                | 3183x200x210         | 21         | 26           |
| 1,33 (4:3)   | 1850          | 1391           | 91              | 2370          | 1642           | 1950          | 1491           | 50            | 450                | 2383x200x210         | 18         | 23           |
|              | 2150          | 1617           | 106             | 2670          | 1918           | 2250          | 1767           | 100           | 450                | 2683x200x210         | 19         | 24           |
|              | 2650          | 1992           | 131             | 3170          | 2293           | 2750          | 2142           | 100           | 450                | 3183x200x210         | 21         | 26           |
| 1,60 (16:10) | 1850          | 1156           | 86              | 2370          | 1407           | 1950          | 1256           | 50            | 450                | 2383x200x210         | 17         | 22           |
|              | 2150          | 1344           | 100             | 2670          | 1595           | 2250          | 1444           | 50            | 450                | 2683x200x210         | 18         | 23           |
|              | 2650          | 1656           | 123             | 3170          | 1907           | 2750          | 1756           | 50            | 450                | 3183x200x210         | 20         | 25           |
| 1,78 (16:9)  | 1850          | 1039           | 84              | 2370          | 1290           | 1950          | 1139           | 50            | 450                | 2383x200x210         | 17         | 22           |
|              | 2150          | 1208           | 97              | 2670          | 1459           | 2250          | 1308           | 50            | 450                | 2683x200x210         | 18         | 23           |
|              | 2650          | 1489           | 120             | 3170          | 1740           | 2750          | 1589           | 50            | 450                | 3183x200x210         | 20         | 25           |
| 2,35 (21:9)  | 1850          | 787            | 79              | 2370          | 1038           | 1950          | 887            | 50            | 450                | 2383x200x210         | 17         | 22           |
|              | 2150          | 915            | 92              | 2670          | 1166           | 2250          | 1015           | 50            | 450                | 2683x200x210         | 18         | 23           |
|              | 2650          | 1128           | 113             | 3170          | 1379           | 2750          | 1228           | 50            | 450                | 3183x200x210         | 20         | 25           |
| 2,37         | 1850          | 781            | 79              | 2370          | 1032           | 1950          | 881            | 50            | 450                | 2383x200x210         | 17         | 22           |
|              | 2150          | 907            | 92              | 2670          | 1158           | 2250          | 1007           | 50            | 450                | 2683x200x210         | 18         | 23           |
|              | 2650          | 1118           | 113             | 3170          | 1369           | 2750          | 1218           | 50            | 450                | 3183x200x210         | 20         | 25           |
| 2,40         | 1850          | 771            | 79              | 2370          | 1022           | 1950          | 871            | 50            | 450                | 2383x200x210         | 17         | 22           |
|              | 2150          | 896            | 92              | 2670          | 1147           | 2250          | 996            | 50            | 450                | 2683x200x210         | 18         | 23           |
|              | 2650          | 1104           | 113             | 3170          | 1355           | 2750          | 1204           | 50            | 450                | 3183x200x210         | 20         | 25           |



In certain circumstances, due to the surface's height, it is necessary to use a case with the rolling tube of 80 mm.

## Inceel Tensio Classic 70 mm borders

| Aspect Ratio | Viewing Width | Viewing Height | Diagonal Inches | Overall Width | Overall Height | Surface Width | Surface Height | Standard Drop | Total Maximum Drop | Packaging Dimensions | Net Weight | Gross Weight |
|--------------|---------------|----------------|-----------------|---------------|----------------|---------------|----------------|---------------|--------------------|----------------------|------------|--------------|
|              | C             | D              | N               | A             | B              | F             | G              | P             | mm                 | mm                   | kg         | kg           |
| 1,00 (1:1)   | 1810          | 1810           | 101             | 2370          | 2101           | 1950          | 1950           | 70            | 70                 | 2383x200x210         | 18         | 23           |
|              | 2110          | 2110           | 117             | 2670          | 2431           | 2250          | 2280           | 100           | 100                | 2683x200x210         | 19         | 24           |
|              | 2610          | 2610           | 145             | 3170          | 2931           | 2750          | 2780           | 100           | 100                | 3183x200x210         | 21         | 26           |
| 1,33 (4:3)   | 1810          | 1361           | 89              | 2370          | 1652           | 1950          | 1501           | 70            | 450                | 2383x200x210         | 18         | 23           |
|              | 2110          | 1586           | 104             | 2670          | 1907           | 2250          | 1756           | 100           | 450                | 2683x200x210         | 19         | 24           |
|              | 2610          | 1962           | 129             | 3170          | 2283           | 2750          | 2132           | 100           | 450                | 3183x200x210         | 21         | 26           |
| 1,60 (16:10) | 1810          | 1131           | 84              | 2370          | 1422           | 1950          | 1271           | 70            | 450                | 2383x200x210         | 17         | 22           |
|              | 2110          | 1319           | 98              | 2670          | 1610           | 2250          | 1459           | 70            | 450                | 2683x200x210         | 18         | 23           |
|              | 2610          | 1631           | 121             | 3170          | 1922           | 2750          | 1771           | 70            | 450                | 3183x200x210         | 20         | 25           |
| 1,78 (16:9)  | 1810          | 1017           | 82              | 2370          | 1308           | 1950          | 1157           | 70            | 450                | 2383x200x210         | 17         | 22           |
|              | 2110          | 1185           | 95              | 2670          | 1476           | 2250          | 1325           | 70            | 450                | 2683x200x210         | 18         | 23           |
|              | 2610          | 1466           | 118             | 3170          | 1757           | 2750          | 1606           | 70            | 450                | 3183x200x210         | 20         | 25           |
| 2,35 (21:9)  | 1810          | 770            | 77              | 2370          | 1061           | 1950          | 910            | 70            | 450                | 2383x200x210         | 17         | 22           |
|              | 2110          | 898            | 90              | 2670          | 1189           | 2250          | 1038           | 70            | 450                | 2683x200x210         | 18         | 23           |
|              | 2610          | 1111           | 112             | 3170          | 1402           | 2750          | 1251           | 70            | 450                | 3183x200x210         | 20         | 25           |
| 2,37         | 1810          | 764            | 77              | 2370          | 1055           | 1950          | 904            | 70            | 450                | 2383x200x210         | 17         | 22           |
|              | 2110          | 890            | 90              | 2670          | 1181           | 2250          | 1030           | 70            | 450                | 2683x200x210         | 18         | 23           |
|              | 2610          | 1101           | 112             | 3170          | 1392           | 2750          | 1241           | 70            | 450                | 3183x200x210         | 20         | 25           |
| 2,40         | 1810          | 754            | 77              | 2370          | 1045           | 1950          | 894            | 70            | 450                | 2383x200x210         | 17         | 22           |
|              | 2110          | 879            | 90              | 2670          | 1170           | 2250          | 1019           | 70            | 450                | 2683x200x210         | 18         | 23           |
|              | 2610          | 1088           | 111             | 3170          | 1379           | 2750          | 1228           | 70            | 450                | 3183x200x210         | 20         | 25           |



Surface Fireproof Certifications